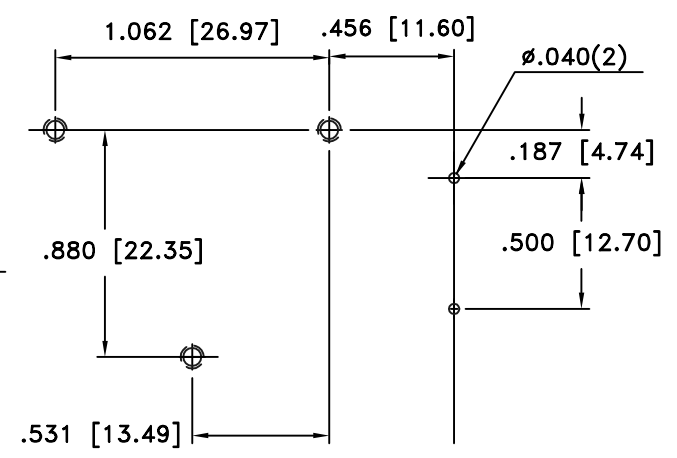
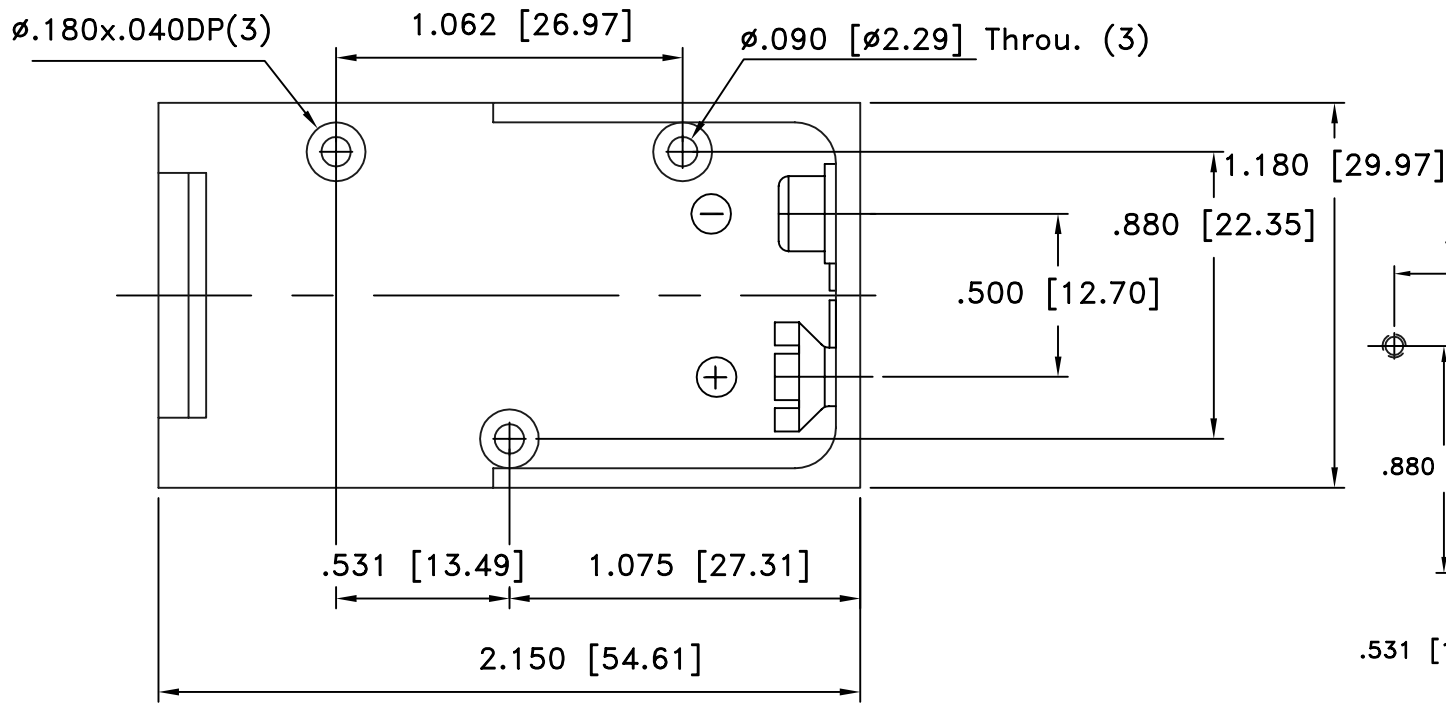
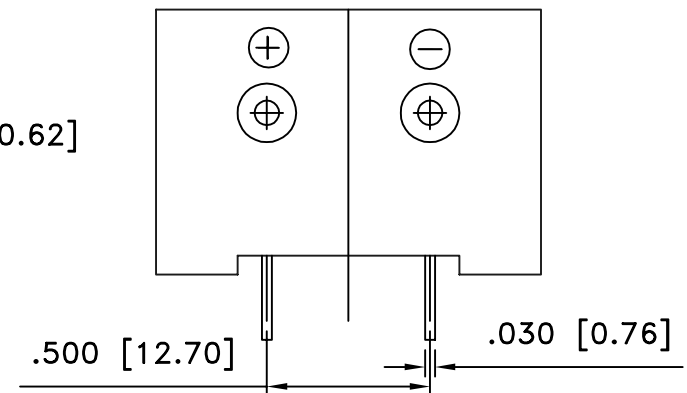
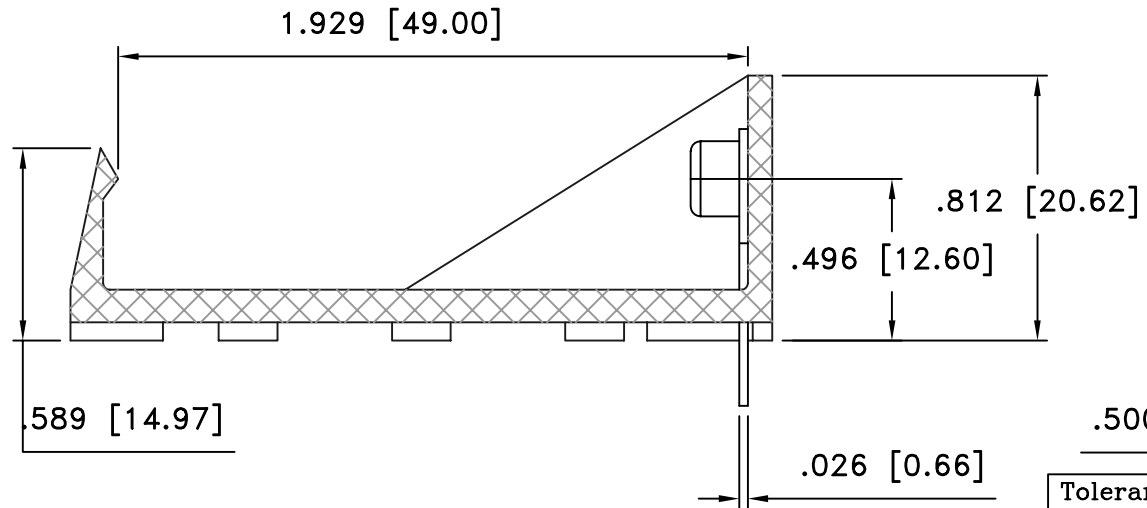



| Date | SYM | REVISION RECORD | AUTH | DR. | CK. |
|----------|-----|------------------------|------|------|-----|
| 10/22/05 | A | ADDED "ROHS COMPLIANT" | T.B. | B.S. | |
| | | | | | |



PCB LAYOUT



NOTE:
ROHS COMPLIANT

| | | | |
|--------------------------------|---|----------------|------------------|
| Tolerance (Except as noted) |  Memory Protection Devices, Inc 200 Broad Hollow Road, Farmingdale, New York 11735 | | |
| decimal | | Scale | Drawn By T.S. |
| $\pm .5 (.020)$ | | 2=1 | Approved By T.B. |
| Fractional | Title | | |
| $\pm .8 (.030)$ | BH9VPC ASSEMBLY | | |
| Angular | Date | Drawing Number | |
| $\pm 3^\circ$ | 10/22/05 | BH9VPC | |

| TERMINALS | PC TERMINALS | TIN PLATED STEEL |
|-----------|-------------------------------------|--------------------------------|
| WASHER | INSULATOR | RUBBER |
| HOLDER | HOLDER UL94V-0, FILE No. E56070 (S) | HIGH IMPACT ABS BLACK, UL940-0 |
| CONTACTS | BRASS SNAPS | NICKEL PLATED BRASS |
| PART | DESCRIPTION | MATERIAL |